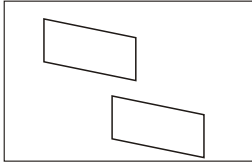




CAUTION



Appendix on Installation Guide

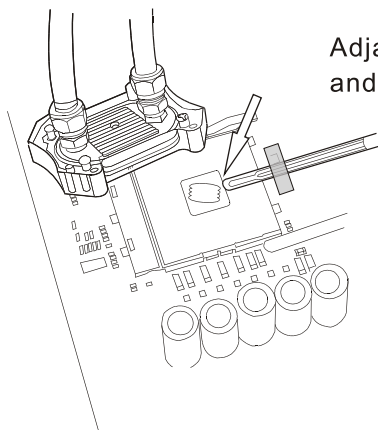


Adhesive tapes are enclosed in Aquagate Liquid Cooling System (as shown in the pic.1) for fixing the thermal sensor.

Pic.1

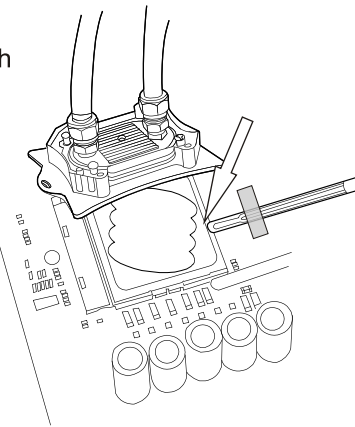
There are two ways that can install the thermal sensor successfully.

- A. When installing the thermal sensor, please place the sensor adjacent to the CPU die. Do not touch the CPU die. And use the adhesive tapes to fix.



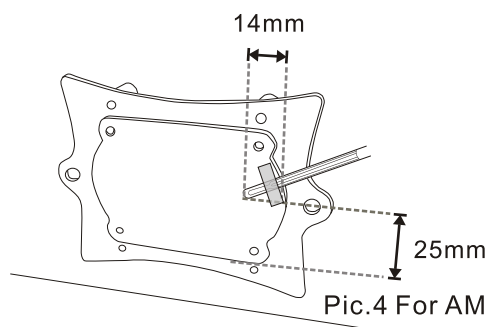
Pic.2 For AMD K7

Adjancet to the die , no touch
and fix by adhesive tapes



Pic.3 For Pentium 4 and AMD K8

- B. Or,. Please place the sensor on the water block.



Pic.4 For AMD K7, AMD K8 and Pentium 4

Note: the temperature measured by the thermal sensor is for your reference only.

AQUAGATE
Ultimate Liquid Cooling System